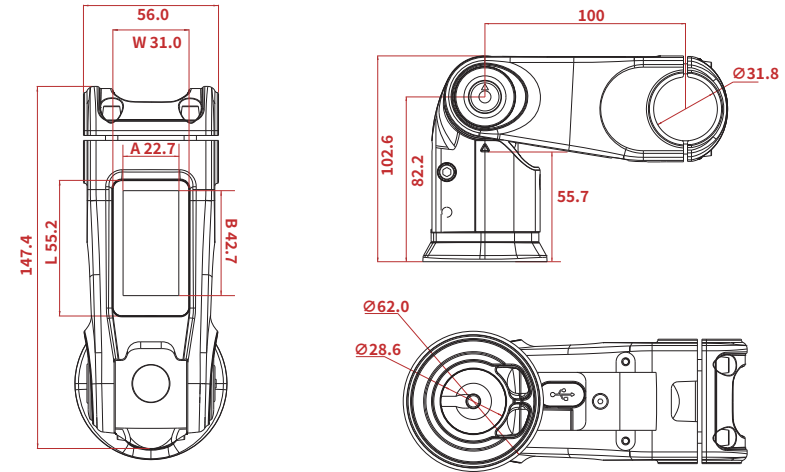


# INTRODUCTION-Q1

This is a 1.91-inch embedded color screen instrument.  
 The bus cable is embedded to solve the problem of messy wire assembly.  
 It is more humanized to meet the needs of different customers by matching with the self-developed stem with adjustable angle.

## PRODUCT ADVANTAGES

- OCA Full-Fit
- IPX7 Waterproof
- Type-C Charging Port
- Wide Voltage:10V-100V
- Board End Connector
- The Riser Angle is Adjustable
- Support UART/CAN Protocol
- Soda Lime Glass Hardness Value:6h
- Customized Backlight Module:450cd/m<sup>2</sup>



## PRODUCT PARAMETERS



Category		Parameter
Size	L*W*H	55.2*31.0*37.6mm
	A*B	22.7*47.2mm
	C	1.91"
	D	embedded
Screen	Type	TFT Color Matrix
	Pixel	170*320px
Connector	Type	Board End Connector
	Length	500mm
Core Data	Rated Voltage	36V/48V
	Support Modes	Mode Gear /Digital Gear(0-9)
	Operating Temperature	-20~50°C
	Waterproof	IPX7
	Weight(g)	709±5
	Com.protocol	UART/CAN
Further Specifications	Type-C	5V 500mA
Test & Certifications		CE / Rohs/EN15194/Reach

Display Content	Parameter Setting
Current Speed	Brightness
Max Speed	Wheel Size
Average Speed	Unit Switch
Single Trip	Speed Limit
Total Distance	Reset
Error Code	Auto OFF
Capacity	/
Walk Assistance	/