

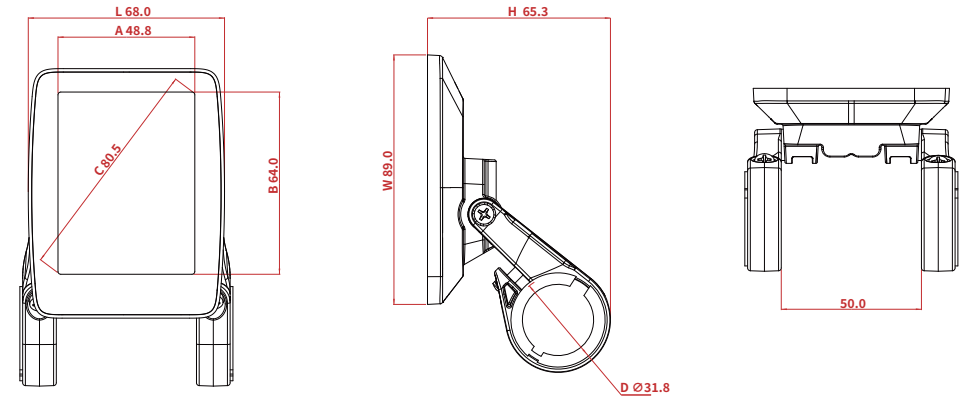
INTRODUCTION-M1

This is a high cost-effective display instrument.

The negative display segment-code LCD screen with white characters on black background looks more fashionable than the traditional segment-code LCD screen, which will meet a different demand of the customers.

PRODUCT ADVANTAGES

- OCA Full-Fit
- IPX7 Waterproof
- Board End Connector
- Support UART/CAN Protocol
- Soda Lime Glass Hardness Value:6h
- Customized Backlight Module:450cd/m²
- LCD-VA Screen



PRODUCT PARAMETERS



Category		Parameter
Size	L*W*H	89.0*68.0*65.3mm
	A*B	48.8*65.0mm
	C	3.2"
	D	Φ25.4/Φ31.8mm
Screen	Type	Segment Matrix
	Pixel	-
Connector	Type	Board End Connector
	Length	300/250mm
Core Data	Rated Voltage	36V/48V
	Support Modes	5 Digital Gears (Unchangeable)
	Operating Temperature	-20~50°C
	Waterproof	IPX7
	Weight(g)	130±5
Further Specifications	Com.protocol	UART/CAN
	Bluetooth	Optional
	Light Sensor	Yes
Test & Certifications		CE / Rohs/EN15194/Reach

Display Content	Parameter Setting
Current Speed	Brightness
Max Speed	Voltage Switch
Average Speed	Wheel Size
Single Trip	Unit Switch
Total Distance	Speed Limit
Error Code	Reset
Capacity	Auto OFF
Walk Assistance	Magnetic Setting
/	Battery Info