

# INTRODUCTION-A1

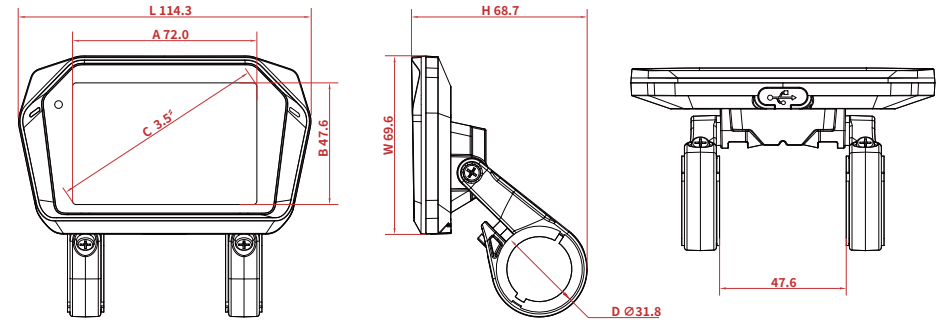
This is a 3.5-inch horizontal screen display specifically designed for city e-bikes, targeted at the high-end market, with an emphasis on product texture.

Not only does it offer exceptional performance and a stylish appearance, but it also innovatively incorporates breathing lights which change the color with the speed to enhance the interaction between humans and machines.

Additionally, the upgraded version features an app that provides navigation functionality.

## PRODUCT ADVANTAGES

- OCR full lamination
- Breathing lights
- Multicolored riding mode
- Dynamic interface
- Panel connectors
- Type-C charging port
- Compatible with UART/CAN protocol
- Soda-lime glass hardness value:6h
- Display brightness:450cd/m<sup>2</sup>
- Navigation (the upgraded version)



## PRODUCT PARAMETERS



Parameter		
Size	L*W*H	114.3*69.6*68.7mm
	A*B	72.0*47.6mm
	C	3.5 "
	D	Ø22.2/Ø25.4/Ø31.8/Ø35.0mm
Screen	Type	TFT color matrix
	Resolution	480*320px
Connector	Connector type	Panel connectors
	Wire length(approx.)	300/250mm
Core data	Rated voltage	36V/48V
	Assisted mode	4 Gear modes / 9 Digital modes
	Operating temperature	-20~50°C
	Waterproof rating	IPX7
	Weight(total)	163±5g
Premium functions	Compatible protocol	UART/CAN
	Bluetooth	Supported
	Navigation	Supported
	Light sensor	Yes
	USB-C charging voltage	5V
	Max. USB-C charging current	500mA

Test & Certification CE/Rohs/EN15194/Reach

Display items	Setting items
Current speed	Display Brightnes
Assistance level	Automatic switch-off time
Motor output	Unit switch
E-Bike battery charge indicator	Date & Time
Single journey distance	Assistance mode switch
Total distance	Automatic lighting
Average speed	Reset
MAX speed	Wheel size
Remaining range	-
Journey time	-
Date & Time	-
Light indicator	-
Walk assistance	-