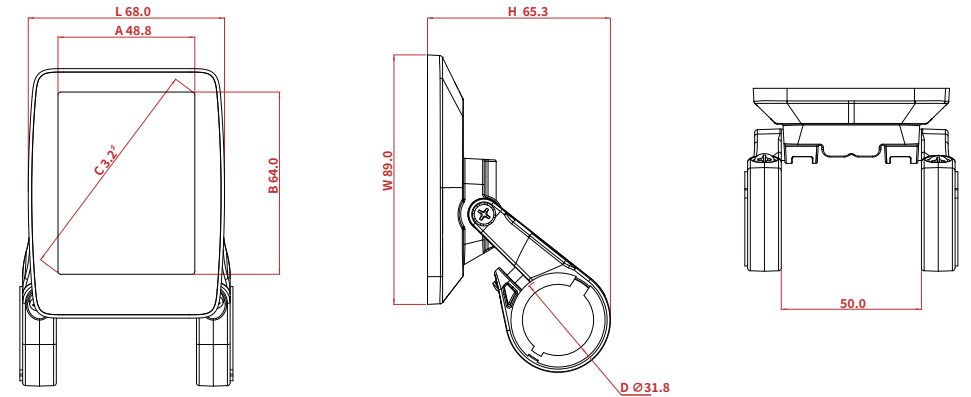


INTRODUCTION-M1

This is a highly cost-effective 3.2-inch segmented screen display with low power consumption. Thanks to the black background and white large font, the display is particularly clearly designed, so that gives you more safety and comfort when riding.

PRODUCT ADVANTAGES

- OCA full lamination
- IPX7 waterproof rating
- Panel connectors
- Compatible with UART/CAN protocol
- Soda-lime glass hardness value:6h
- Display brightness:450cd/m²
- LCD-VA screen



PRODUCT PARAMETERS



Parameter		
Size	L*W*H	68.0*89.0*65.3mm
	A*B	48.8*64.0mm
	C	3.2 "
	D	Ø22.2/Ø25.4/Ø31.8/Ø35.0mm
Screen	Type	Segment
	Resolution	-
Connector	Connector type	Panel connectors
	Wire length(approx.)	300/250mm
Core data	Rated voltage	36V/48V
	Assisted mode	5 Digital modes
	Operating temperature	-20~50°C
	Waterproof rating	IPX7
	Weight(total)	130±5g
	Compatible protocol	UART/CAN
Premium functions	Bluetooth	Supported
	Light sensor	Yes
Test & Certification		CE/Rohs/EN15194/Reach

Display items	Setting items
Current speed	Display Brightness
Assistance level	Unit switch
E-Bike battery charge indicator	Automatic lighting
Single journey distance	Reset
Total distance	Wheel size
Average speed	-
MAX speed	-
Light indicator	-
Walk assistance	-