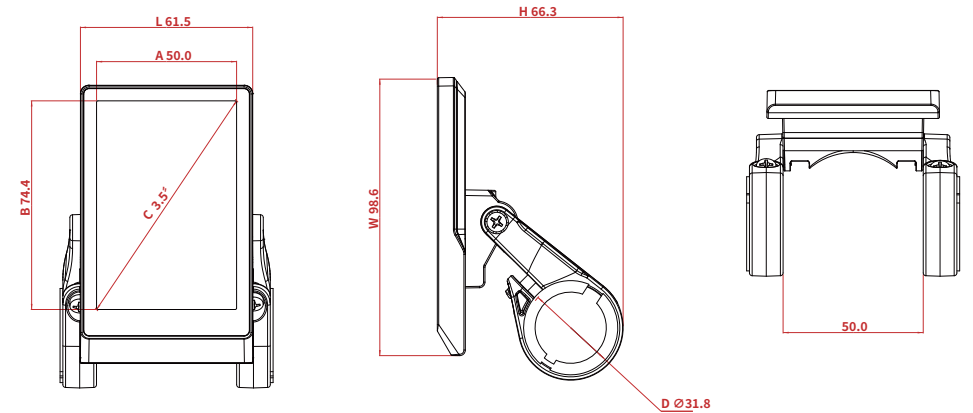


INTRODUCTION-X1

This is a 3.5-inch high-definition color screen display that is suitable for city e-bikes, extremely narrow frame brings larger field of view. Its minimalistic design allows it to effortlessly complement different e-bike styles.

PRODUCT ADVANTAGES

- OCA full lamination
- IPX7 waterproof rating
- Multicolored riding mode
- Dynamic interface
- Panel connectors
- Compatible with UART/CAN protocol
- Soda-lime glass hardness value:6h
- Display brightness:450cd/m²



PRODUCT PARAMETERS



Parameter		
Size	L*W*H	61.5*98.6*66.3mm
	A*B	50.0*74.4mm
	C	3.5 "
	D	Ø22.2/Ø25.4/Ø31.8/Ø35.0mm
Screen	Type	TFT color matrix
	Resolution	320*480px
Connector	Connector type	Panel connectors
	Wire length(approx.)	300/250mm
Core data	Rated voltage	36V/48V
	Assisted mode	4 Gear modes / 9 Digital modes
	Operating temperature	-20~50°C
	Waterproof rating	IPX7
	Weight(total)	146±5g
	Compatible protocol	UART/CAN
Premium functions	Bluetooth	Supported
	Light sensor	Yes
Test & Certification		CE/Rohs/EN15194/Reach

Display items	Setting items
Current speed	Display Brightness
Assistance level	Automatic switch-off time
Motor output	Unit switch
E-Bike battery charge indicator	Assistance mode switch
Single journey distance	Automatic lighting
Total distance	Reset
Average speed	Wheel size
MAX speed	-
Remaining range	-
Light indicator	-
Walk assistance	-