

INTRODUCTION-Q1

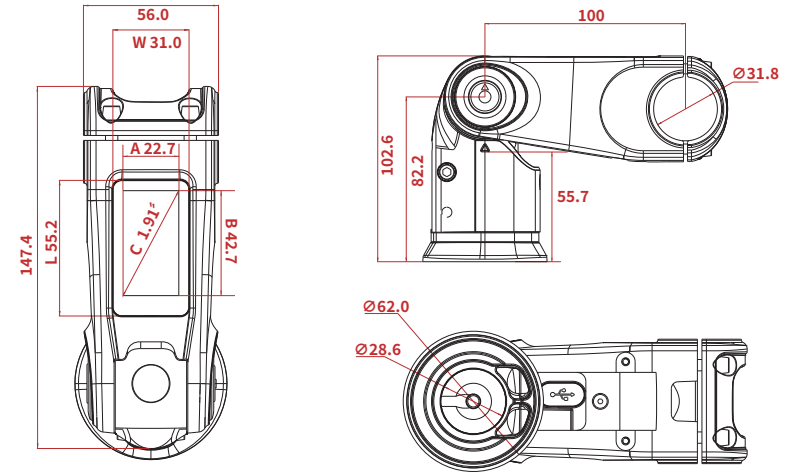
This is a 1.91-inch TFT embedded color screen display.

The only one integrated wire harness is hidden internal to avoid the clutter.

In combination with our self-developed angle-adjustable stem, you can adjust it to the optimum angle for good readability and a comfortable ride.

PRODUCT ADVANTAGES

- OCA full lamination
- IPX7 waterproof rating
- Type-C charging port
- Wide voltage:10V-100V
- Panel connectors
- Adjustable stem angle
- Compatible with UART/CAN protocol
- Soda-lime glass hardness value:6h
- Display brightness:450cd/m²



PRODUCT PARAMETERS



Parameter		
Size	L*W*H	55.2*31.0*37.6mm
	A*B	22.7*42.7mm
	C	1.91 "
	D	Embedded
Screen	Type	TFT color matrix
	Resolution	170*320px
Connector	Connector type	Panel connectors
	Wire length(approx.)	500mm
Core data	Rated voltage	36V/48V
	Assisted mode	4 Gear modes / 9 Digital modes
	Operating temperature	-20~50°C
	Waterproof rating	IPX7
	Weight(total)	709±5g
	Compatible protocol	UART/CAN
Premium functions	USB-C charging voltage	5V
	Max. USB-C charging current	500mA
Test & Certification		CE/Rohs/EN15194/Reach
Display items		Setting items
Current speed		Display Brightness
Assistance level		Automatic switch-off time
Motor output		Unit switch
E-Bike battery charge indicator		Assistance mode switch
Single journey distance		Reset
Total distance		Wheel size
Average speed		-
MAX speed		-
Light indicator		-
Walk assistance		-